



5300 Beethoven Street, Los Angeles, CA 90066  
 TEL: (310)306-5556 • FAX: (310)577-9887  
 WEB: www.ophirrf.com • E-MAIL: sales@ophirrf.com

**MODEL 5188**  
**0.01 - 1000 MHz**  
**25 WATTS**  
**LINEAR POWER RF AMPLIFIER**

**Solid State Broadband High Power RF Amplifier**

The 5188 is a 25 Watt broadband amplifier that covers the 0.01 - 1000 MHz frequency range. This is a two channel amplifier that will allow operation of either the low band channel (0.01-200 MHz) or the high band channel (20-1000 MHz). Band Switching is done internally and can be activated either locally or remotely. This amplifier utilizes Class A linear power devices that provide an excellent 3<sup>rd</sup> order intercept point, high gain, and a wide dynamic range.

Due to robust engineering and employment of the most advanced devices and components, this amplifier achieves high efficiency operation with proven reliability. Like all OPHIR<sub>RF</sub> amplifiers, the 5188 comes with an extended multiyear warranty backed by Ophir RF's commitment to total customer satisfaction.

	<u>Parameter</u>	<u>Specification @ 25° C</u>
<b><u>Electrical</u></b>		
1	Frequency Range Low Band High Band	0.01 - 1000 MHz 0.01-200 MHz 20-1000 MHz
2	Power at P <sub>SAT</sub>	25 Watts Minimum
3	Power at P <sub>-1dB</sub>	12 Watts Minimum
4	Small Signal Gain	+44 dB Minimum
5	Small Signal Gain Flatness	± 2.0 dB Maximum per band
6	IP <sub>3</sub>	+46 dBm typical
7	Input VSWR	2:1 max
8	Harmonics	-20 dBc typical @ 12 Watts
9	Spurious Signals	< -60 dBc typical @ 12 Watts
10	Input/Output Impedance	50 Ohms nominal
11	AC Input Power	500 Watts max
12	AC Input	100 – 240 VAC, single phase
13	RF Input	0 dBm Nominal for rated power <b>+3 dBm maximum</b>
14	RF Input Signal Format	CW/AM/FM/PM/Pulse
15	Class of Operation	A
<b><u>Mechanical</u></b>		
16	Dimensions	19" x 5.25" x 26" (3RU)
17	Weight	48 Lbs.
18	Connectors (On Rear)	Type-N
19	Grounding	Chassis
20	Cooling	Internal Forced Air
<b><u>Environmental</u></b>		
21	Operating Temperature	0° C to +50° C
22	Operating Humidity	95% Non-condensing
23	Operating Altitude	Up to 10,000' Above Sea Level
24	Shock and Vibration	Normal Truck Transport

Specifications subject to change without notice



5300 Beethoven Street, Los Angeles, CA 90066  
 TEL: (310)306-5556 • FAX: (310)577-9887  
 WEB: www.ophirrf.com • E-MAIL: sales@ophirrf.com

**MODEL 5188**  
**0.01 - 1000 MHz**  
**25 WATTS**  
**LINEAR POWER RF AMPLIFIER**

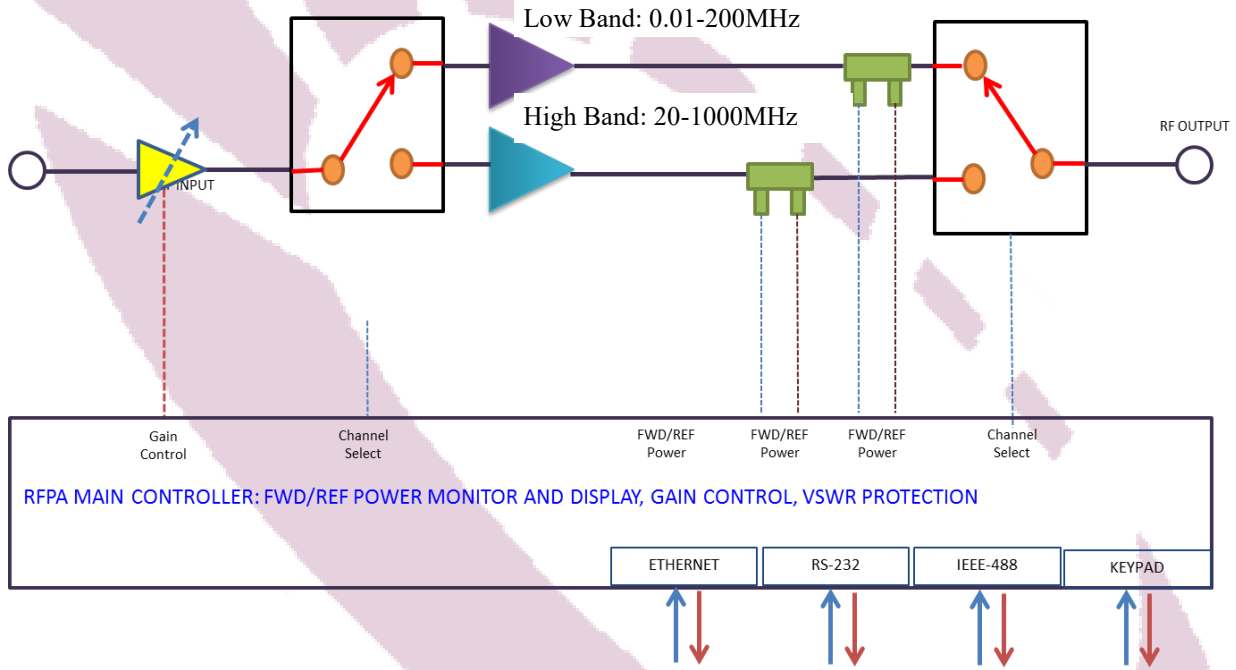
	<u>Parameter</u>
<b><u>Front Panel Controller</u></b>	
24	Forward Power Monitoring
25	Reflected Power Monitoring
26	Gain Control (20-25 dB dynamic range of adjustment)
27	Fault Status
28	Full Protection Of any VSWR Condition, Open or Short, any Phase.
29	Remote Control Access via the Ethernet (LAN), RS-232, or IEEE-488 Communications ports
30	Integrated Automatic Leveling Control to allow end-user to maintain output even with variances in temperature, or input RF level
31	Standby/Enable Control
32	Front Panel Display for easy viewing of System Status Locally
33	Keypad buttons for full local control
<b><u>Circuit Protections</u></b>	
34	Thermal Overload
35	Over Current
36	Over Voltage
37	Open or Short VSWR Conditions
<b><u>Circuit Control</u></b>	
38	Standby (amplifier disable)
39	Gain/power setting with 20 dB range
40	VSWR protection Reset
41	ALC On/ Off
<b><u>Circuit Indications</u></b>	
42	Forward Power
43	Reflected power
44	VSWR Fault
45	Temp Fault
46	Gain Setting (VVA) percentage
<b><u>5188 Special Features</u></b>	
47	This unit is a two channel Amplifier. Either Low Band (0.01-200MHz) or High band (80 - 1000 MHz) can be operated.



5300 Beethoven Street, Los Angeles, CA 90066  
 TEL: (310)306-5556 • FAX: (310)577-9887  
 WEB: www.ophirrf.com • E-MAIL: sales@ophirrf.com

## MODEL 5188

0.01 - 1000 MHz  
 25 WATTS  
 LINEAR POWER RF AMPLIFIER



Specifications subject to change without notice

### ORDERING MODELS

RE Rear RF Connector model with Front Panel  
 Controller Ethernet, IEEE-488 and RS232



MADE IN USA



06/19 Approved By: \_\_\_\_\_ Date: \_\_\_\_\_